



Innovative Solutions



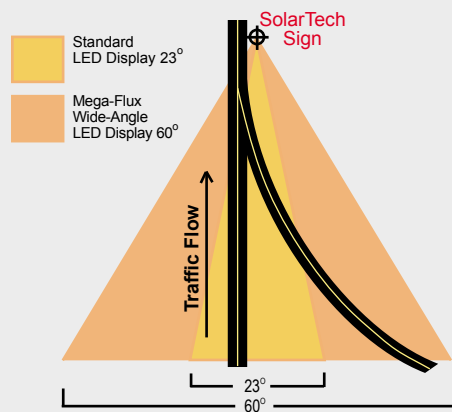
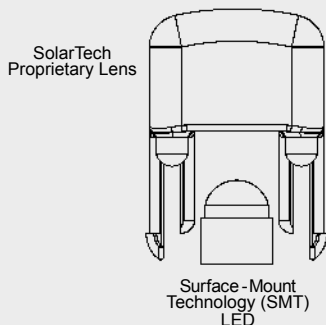
Driven by



- Intuitive, 10.4" LCD touch-screen GUI
- So easy to operate that no instructions are needed!
- Multi-lingual capability allowing use throughout the world.
- Message scheduler for time and event-based messages.
- NTCIP compatibility for simple, hassle-free integration into standard ITS installations.
- USB "thumb drive" interface for hassle-free, quick updates via the SolarTech website as well as data collection (with optional Radar).



Mega-Flux LED Display:
A patented wide-angle lens is fitted to each LED, increasing the viewing angle from 23° to 60°.





DISPLAY

Panel Size	126 in. wide x 76 in. high (320 cm wide x 193 cm high)
Panel Construction	All aluminum, modular construction
Panel Face	3/16 in. Polycarbonate, non-glare
Matrix Size	27 x 48 pixels (standard)
Pixel Pitch	2.6 x 2.6 in. (6.6 x 6.6 cm)
Characters per Line	Up to Twelve (12)
Number of Lines	Up to Four (4)
Number of Fonts	Seven (7)
Character Height	13 to 52 in. (33 cm to 132 cm)
Graphics Capability	Full Matrix with Full Animation
Display Technology	LED (Amber, 592 nm)
Display Brightness	>10,000 cd/m2 (candela per sq. meter)
Viewing Angle	23° horizontal (minimum)
Display Life Expectancy	10 years typical
Lifting Mechanism	2,000 lb. capacity electro-hydraulic

TRAILER

Length Overall	180 in. (457 cm)
Width Overall	92 in. (234 cm)
Width Across Fenders	92 in. (234 cm)
Height Traveling	103 in. (262 cm)
Height Operating	162 in. (412 cm)
Ground Clearance	13 in. (33 cm) min. 2,400 lbs. (1,089 kg) min. 2,960 lbs. (1,343 kg) max.
Coupler (Class III)	2-in. (5.1 cm) ball or 3-in. (7.6 cm) pintle ring
Axle/Suspension	Torq-Flex - independent

ENERGY SOURCE

Operating Voltage	12 Volts DC (nominal)
Battery Type	6 Volt Heavy Duty, Deep Cycle (GC-2)
Number of Batteries	Four (4) Standard Lead Acid (Flooded)
Battery Bank Capacity	600 Amp Hours
Battery Status Indicator	Displays battery voltage, charging activity and low battery condition
Solar Array Construction	Top-mounted solar panels in aluminum frame
Solar Array Power Output	Standard 150W (nominal) 170W (peak)
Solar Charge Controller.....	Automatic, temperature compensated
Auxiliary Automatic Battery Charger	115 VAC line powered, 30 Amp

MEGA-TECH CONTROL CONSOLE

Console Circuitry	Ultra-low power solid state
Console Touchscreen	Waterproof, backlit, full-color GUI, intuitive icon-driven, multi-lingual
Programming Software	Proprietary, field upgradable
Message Capacity	Pre-programmed and user-programmed greater than 250 each`
Time-Date Control	Real-time clock/calendar (365-day)
Message Display Time	User-selectable (0.1 to 99 seconds)
Display Update Time	Instantaneous
Non-Volatile Memory	Separate backup battery
Password Protection	User-selectable, multi-level
Operator Interface	Easy-to-use icons (no manual required)
Connectivity	Networkable (wired or wireless) and NTCIP compatible (Ethernet and RS-232)



SOLAR TECHNOLOGY, INC.

7620 Cetronia Rd. Allentown, PA 18106
Phone: 800-475-5442 610-391-8600
www.solartechnology.com



OPTIONAL FEATURES AND UPGRADES

Display Panel

- MegaFlux Display - 60° Viewing Angle
- High-Definition Display - 30 x 56 Pixels 2.3 in. (5.8 cm) Pixel Pitch (Available in standard or Mega-Flux)

Brakes

- Hydraulic Surge Brakes (5,000 lb. Capacity)
- Electric Brakes

Battery Upgrades

- Eight (8) Lead-Acid (Flooded) (1200 AH Capacity)
- Twelve (12) Lead-Acid (Flooded) (1800 AH Capacity)
- Four (4) Gel-Cell Maintenance-Free (600 AH Capacity)
- Eight (8) Gel-Cell Maintenance-Free (1200 AH Capacity)
- Twelve (12) Gel-Cell Maintenance-Free (1800 AH Capacity)

Solar Array Upgrades

- 225W (nominal) - 255W (peak)
- 300W (nominal) - 340W (peak)
- 375W (nominal) - 425W (peak)
- 450W (nominal) - 510W (peak)

Battery Charger Upgrades

- 45 Amp Output (115 VAC 50/60 Hz - Input)
- 75 Amp Output (115 VAC 50/60 Hz - Input)
- 30 Amp Output (230 VAC 50Hz - Input)
- 45 Amp Output (230 VAC 50Hz - Input)

Remote Control Options

- Short-Range Wireless - 802.11 WiFi
- Cellular Wireless - GPRS (CDMA/GSM)
- Cellular Wireless - GPRS (CDMA/GSM) with GPS

Radar Options

- MPH
- KPH

Extended Warranty Upgrades

- Extended Warranty BRONZE (+24 Months)
- Extended Warranty SILVER (+36 Months)
- Extended Warranty GOLD (+48 Months)

Other SolarTech Products

SILENT SENTINEL
Trailer and Truck Mount Arrow Boards

SILENT MESSENGER II
Mid-Size Trailer and Vehicle Mount Message Boards

SILENT MESSENGER III
Small-Size Trailer and Vehicle Mount Message Boards

SILENT ADVISOR
Low and High Speed Application Radar Speed Trailers

INCIDENT RESPONSE TRAILER
Work Zone Trailer with Cones and Barrels

SOLAR-POWERED PORTABLE TOWER TRAILER
Versatile Tower Platform for Rapid Deployment

All models meet or exceed the standards for Portable Changeable Message Signs as listed in the U.S. Federal Highway Administration (FHWA) Manual or Uniform Traffic Control Devices (MUTCD).
Specifications subject to periodic updates as required without notice.